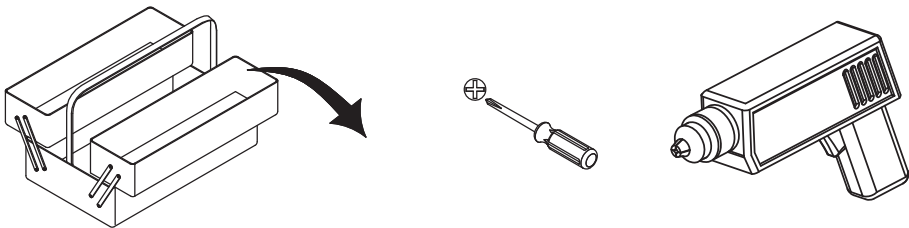
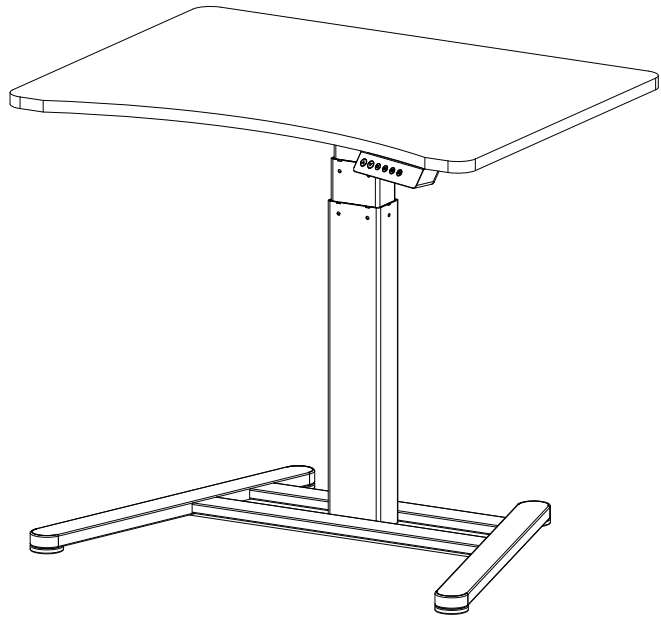


ONELEG ASSEMBLY INSTRUCTION



WICHTIG - FÜR SPÄTERE VERWENDUNG
AUFBEWAHREN - SORGFÄLTIG LESEN

AVIS - Ces instructions doivent être sauvegardées
Pour utilisation future - Les instructions doivent
être suivies

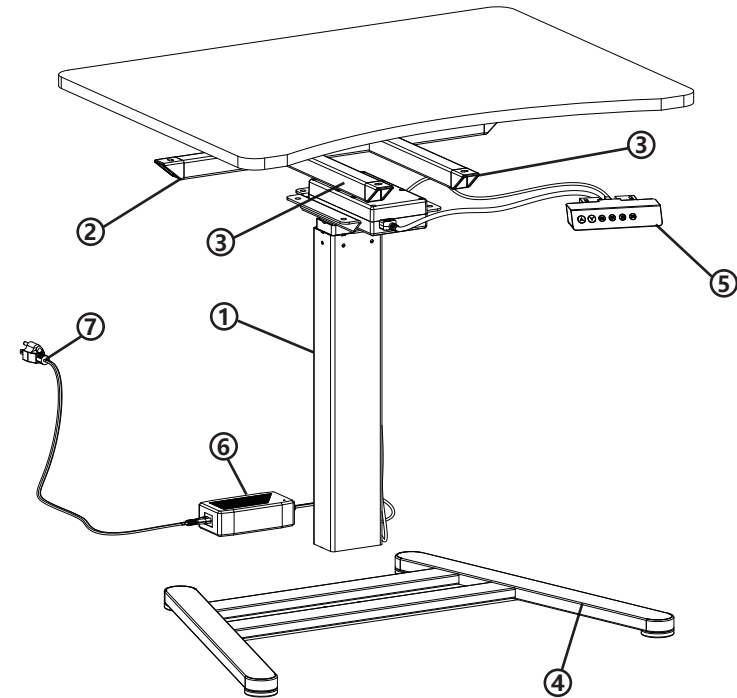
IMPORTANTE, conservar estas instrucciones
para futuro uso. Siga estas instrucciones atentamente

VIGTIGT- Samlevejledningen skal opbevares
i arkiv til senere brug- Ska liggjennemlæses nøje

NOTICE - These instructions must be saved
for future use - Instructions must be followed

CHECK LIST

NO.	1	2	3	4	5	6	7
QTY.	1	1	2	1	1	1	1



A (6pcs)



M8x10mm

B (4pcs)



ST5.0x16mm
(optional)

C (2pcs)



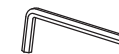
ST4.2x16mm

D (4pcs)



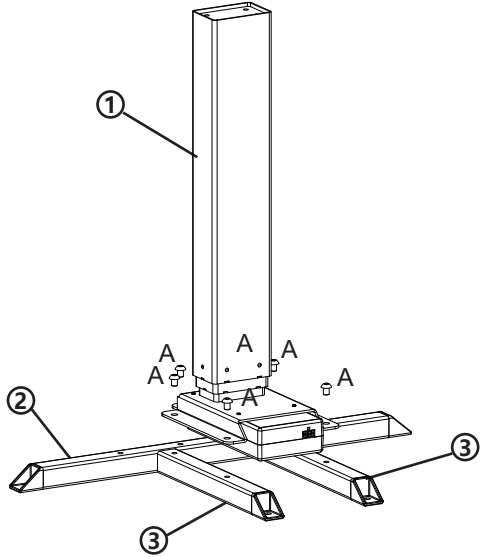
M8*20

E

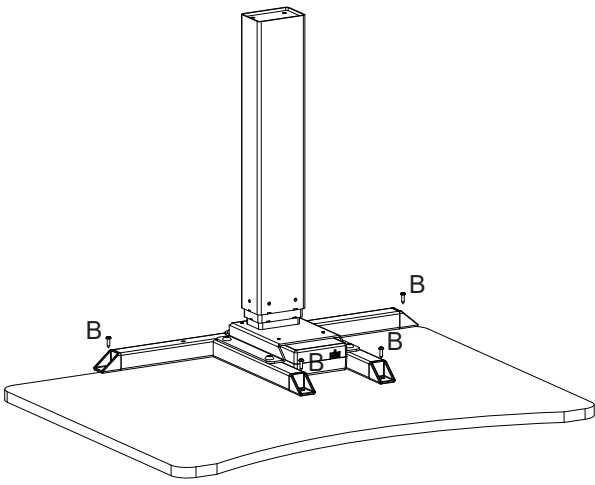


M5

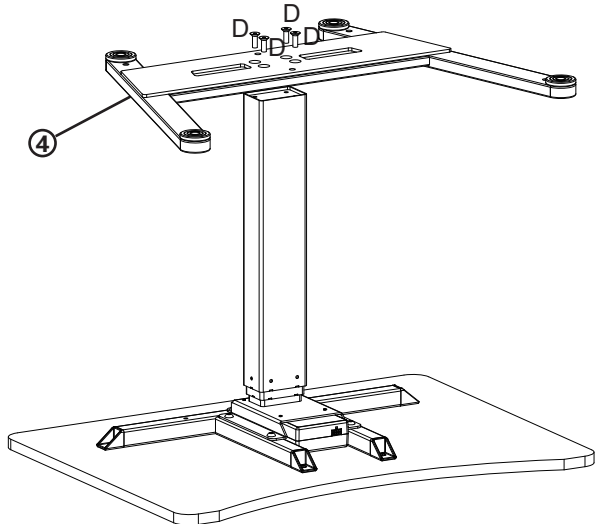
1 A (6pcs) E
M8x10mm M5



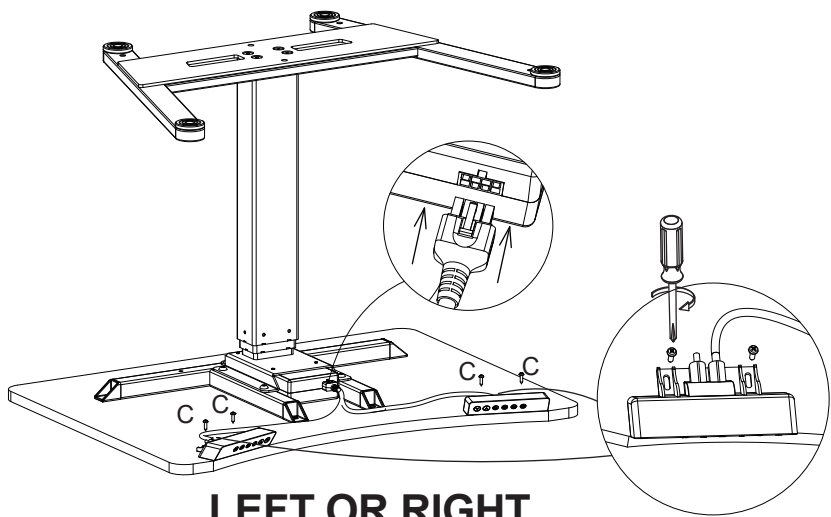
2 B (4pcs)
ST5.0x16mm (optional) OR  OR 



3 D (4pcs) E
M8*20 M5

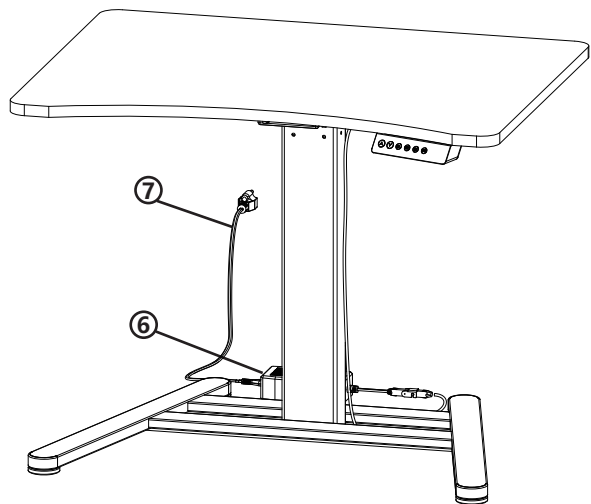


4 C (2pcs)
ST4.2x16mm OR  OR 

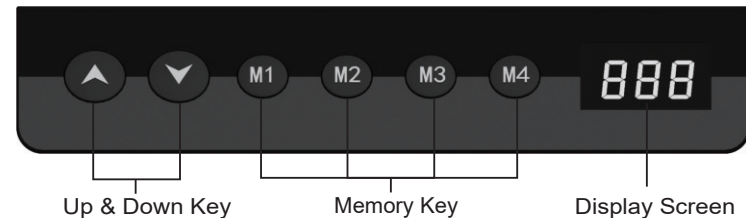


LEFT OR RIGHT

5



Display Instruction



The whole handset surface is a button panel. If there is no button pressed within 30 seconds, the screen is locked and M1/M2/M3/M4 keys are locked correspondingly. To activate the display, press the Up or Down key first. The display can be used when the display screen lights up.

■ Up or Down Key

To adjust the height of the desk, keep pressing the up or down arrow until the desk is at the preferred height.

■ Display screen

Display the height value of the desk.

■ Memory Key (M1/ M2/ M3/ M4)

After setting the memory keys, the desk can lift automatically to memory height.

※ How to set memory mode:

Please keep pressing M1/M2/M3/M4 key for 5 seconds, until "beep" sound, the memory height is successfully saved. Then press M1/M2/M3/M4, the desk moves to the programmed memory height automatically.

■ Safety function

When the desktop is on the rise or going down, encountered reverse resistance will make the desk rebound.

■ Setting solution for desk function

